



● **FEATURES 特性**

Various high power inductors are superior to be high saturation for surface mounting.

具有高功率、高饱和电流、低阻抗、小型化之特性。

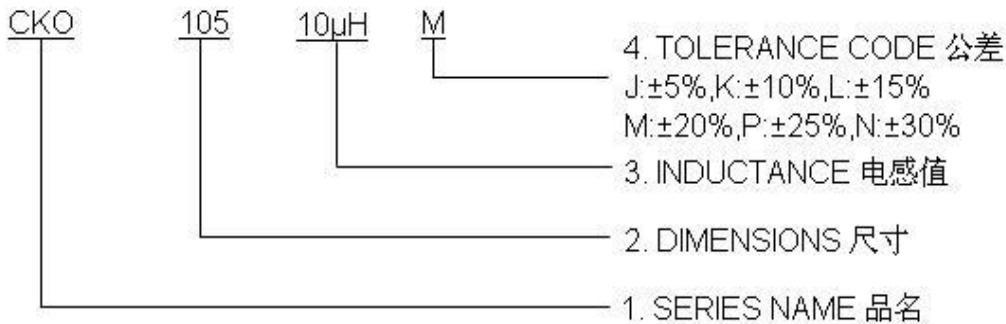


● **APPLICATIONS 用途**

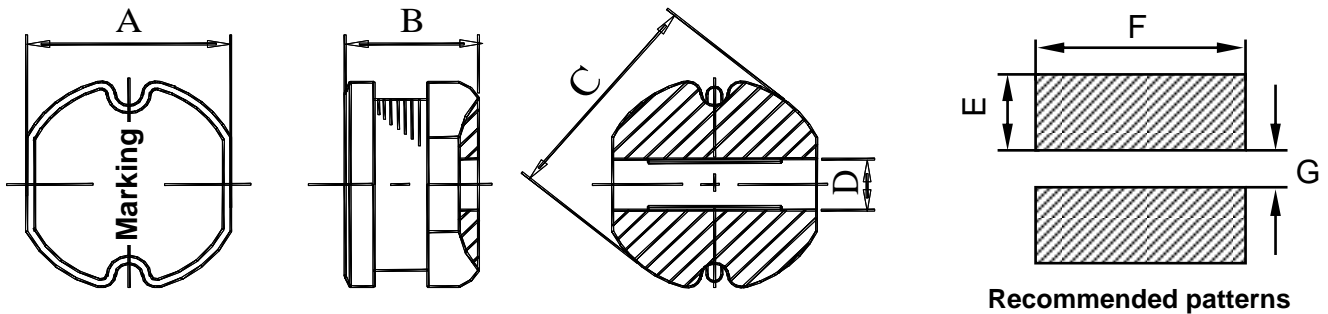
Power supply for TVR,OA equipment Digital camera,LCD television set notebook PC, portable communication equipments,DC/DC converters,etc.

录影机，OA仪器，数码相机，液晶电视，笔记本电脑，小型通信设备，DC/DC转换器。

● **PART NUMBERING SYSTEM 品名系统**



● **SHAPES AND DIMENSIONS 外形尺寸 (Unit:mm)**



TYPE(型号)	A	B	C	D	E	F	G
CKO31	3.0±0.3	1.1±0.3	3.5±0.3	1.0	1.6	3.5	0.8
CKO32	3.0±0.3	2.1±0.3	3.5±0.3	1.0	1.6	3.5	0.8
CKO42	4.0±0.3	2.1±0.3	4.5±0.3	1.0	1.75	4.5	1.2
CKO43	4.0±0.3	3.2±0.3	4.5±0.3	1.4	1.75	4.5	1.2
CKO52	5.2±0.3	2.1±0.3	5.8±0.3	2.1	2.15	5.5	1.7
CKO53	5.2±0.3	3.0±0.3	5.8±0.3	2.1	2.15	5.5	1.7
CKO54	5.2±0.3	4.5±0.3	5.8±0.3	2.1	2.15	5.5	1.7
CKO73	7.0±0.3	3.5±0.3	7.8±0.3	2.4	3.0	7.5	2.0
CKO75	7.0±0.3	5.0±0.3	7.8±0.3	2.5	3.0	7.5	2.0
CKO104	9.0±0.3	4.0±0.3	10.0±0.3	3.1	3.75	9.5	2.5
CKO105	9.0±0.3	5.4±0.3	10.0±0.3	3.1	3.75	9.5	2.5



● SPECIFICATION TABLE:

PART NUMBER 品名	INDUCTANCE ( $\mu$ H) 电感值	DCR (Max) ( $\Omega$ ) 直流电阻	IDC (Max) (A) 额定电流	TEST FREQ (kHz) 测试频率
CKO75-1.0uH/□	1.0	0.012	5.50	100
CKO75-1.5uH/□	1.5	0.015	5.30	100
CKO75-2.2uH/□	2.2	0.020	5.00	100
CKO75-3.3uH/□	3.3	0.028	4.50	100
CKO75-4.7uH/□	4.7	0.033	4.00	100
CKO75-5.6uH/□	5.6	0.036	3.80	100
CKO75-6.8uH/□	6.8	0.040	3.50	100
CKO75-8.2uH/□	8.2	0.050	3.00	100
CKO75-10uH/□	10	0.060	2.80	100
CKO75-15uH/□	15	0.070	2.70	100
CKO75-18uH/□	18	0.090	2.30	100
CKO75-22uH/□	22	0.100	2.20	100
CKO75-27uH/□	27	0.120	2.00	100
CKO75-33uH/□	33	0.150	1.50	100
CKO75-39uH/□	39	0.170	1.40	100
CKO75-47uH/□	47	0.190	1.20	100
CKO75-56uH/□	56	0.220	1.10	100
CKO75-68uH/□	68	0.270	1.00	100
CKO75-82uH/□	82	0.300	0.90	100
CKO75-100uH/□	100	0.380	0.80	100
CKO75-220uH/□	220	0.750	0.60	100
CKO75-330uH/□	330	0.830	0.40	100
CKO75-470uH/□	470	1.90	0.30	100
CKO75-1.0mH/□	1000	3.50	0.25	100
CKO75-1.2mH/□	1200	4.50	0.23	100
CKO75-1.5mH/□	1500	5.50	0.20	100
CKO75-2.2mH/□	2200	10.00	0.10	100

Remark: ● □ Tolerance: N:±30% , M:±20% , K:±10%

- Inductance Tested at 100kHz,0.25Vrms (20℃)
- IDC: DC current at which the inductance drops approximate 20% from its value without current
- Operating Temperature : -25℃ ~ +105℃
- Measure Equipment:  
INDUCTANCE : Agilent HP-4284A , HP-4285A  
IDC : Agilent HP-4284A+HP-42841A  
DCR : CHEN HWA 502A



● SPECIFICATION TABLE:

PART NUMBER 品名	INDUCTANCE ( $\mu$ H) 电感值	DCR (Max) ( $\Omega$ ) 直流电阻	IDC (Max) (A) 额定电流	TEST FREQ (kHz) 测试频率
CKO104-10uH/□	10	0.050	4.50	100
CKO104-15uH/□	15	0.075	3.50	100
CKO104-22uH/□	22	0.110	3.00	100
CKO104-27uH/□	27	0.120	2.80	100
CKO104-33uH/□	33	0.135	2.50	100
CKO104-39uH/□	39	0.170	2.40	100
CKO104-47uH/□	47	0.180	2.10	100
CKO104-56uH/□	56	0.200	1.90	100
CKO104-68uH/□	68	0.250	1.70	100
CKO104-82uH/□	82	0.300	1.60	100
CKO104-100uH/□	100	0.390	1.40	100
CKO104-220uH/□	220	0.800	1.00	100
CKO104-330uH/□	330	1.130	0.70	100
CKO104-470uH/□	470	1.600	0.60	100
CKO104-560uH/□	560	1.900	0.55	100
CKO104-680uH/□	680	2.280	0.50	100
CKO104-820uH/□	820	2.760	0.45	100
CKO104-1.0mH/□	1000	3.450	0.40	100

Remark: ● □ Tolerance: N:±30% , M:±20% , K:±10%

- Inductance Tested at 100kHz,0.25Vrms (20℃)
- IDC: DC current at which the inductance drops approximate 20% from its value without current
- Operating Temperature : -25℃ ~ +105℃
- Measure Equipment:  
INDUCTANCE : Agilent HP-4284A , HP-4285A  
IDC : Agilent HP-4284A+HP-42841A  
DCR : CHEN HWA 502A



● SPECIFICATION TABLE:

PART NUMBER 品名	INDUCTANCE ( $\mu$ H) 电感值	DCR (Max) ( $\Omega$ ) 直流电阻	IDC (Max) (A) 额定电流	TEST FREQ (kHz) 测试频率
CKO105-3.3uH/□	3.3	0.020	6.00	100
CKO105-4.7uH/□	4.7	0.028	5.00	100
CKO105-6.8uH/□	6.8	0.030	4.50	100
CKO105-10uH/□	10	0.040	4.00	100
CKO105-15uH/□	15	0.060	3.00	100
CKO105-22uH/□	22	0.075	2.50	100
CKO105-27uH/□	27	0.095	2.20	100
CKO105-33uH/□	33	0.120	2.10	100
CKO105-39uH/□	39	0.125	2.00	100
CKO105-47uH/□	47	0.140	1.80	100
CKO105-56uH/□	56	0.170	1.60	100
CKO105-68uH/□	68	0.220	1.50	100
CKO105-82uH/□	82	0.240	1.40	100
CKO105-100uH/□	100	0.280	1.20	100
CKO105-180uH/□	180	0.500	0.90	100
CKO105-220uH/□	220	0.550	0.80	100
CKO105-330uH/□	330	0.830	0.65	100
CKO105-470uH/□	470	1.200	0.55	100
CKO105-560uH/□	560	1.360	0.50	100
CKO105-680uH/□	680	1.630	0.45	100
CKO105-820uH/□	820	2.160	0.40	100
CKO105-1.0mH/□	1000	2.500	0.35	100
CKO105-1.2mH/□	1200	3.300	0.30	100
CKO105-1.8mH/□	1800	4.800	0.18	100

Remark: ● □ Tolerance: N:±30% , M:±20% , K:±10%

- Inductance Tested at 100kHz,0.25Vrms (20°C)
- IDC: DC current at which the inductance drops approximate 20% from its value without current
- Operating Temperature : -25°C ~ +105°C
- Measure Equipment:
  - INDUCTANCE : Agilent HP-4284A , HP-4285A
  - IDC : Agilent HP-4284A+HP-42841A
  - DCR : CHEN HWA 502A



● SPECIFICATION TABLE:

PART NUMBER 品名	INDUCTANCE ( $\mu$ H) 电感值	DCR (Max) ( $\Omega$ ) 直流电阻	IDC (Max) (A) 额定电流	TEST FREQ (kHz) 测试频率
CKO31-0.33uH/□	0.33	0.650	0.450	100
CKO31-0.47uH/□	0.47	0.720	0.320	100
CKO31-0.56uH/□	0.56	0.854	0.200	100
CKO31-0.68uH/□	0.68	0.930	0.190	100
CKO31-0.82uH/□	0.82	1.022	0.185	100
CKO31-10uH/□	10	1.150	0.180	100
CKO31-12uH/□	12	1.280	0.175	100
CKO31-15uH/□	15	1.320	0.172	100
CKO31-18uH/□	18	1.450	0.170	100
CKO31-22uH/□	22	1.550	0.162	100
CKO31-25uH/□	25	1.620	0.160	100
CKO31-33uH/□	33	1.700	0.150	100
CKO31-47uH/□	47	1.750	0.150	100
CKO31-56uH/□	56	1.820	0.145	100
CKO31-68uH/□	68	1.880	0.142	100
CKO31-82uH/□	82	1.920	0.140	100
CKO31-100uH/□	100	2.000	0.138	100
CKO31-220uH/□	220	2.100	0.136	1MHz
CKO31-330uH/□	330	2.180	0.132	1MHz
CKO31-390uH/□	390	2.450	0.130	1MHz

Remark: ● □ Tolerance: N:±30% , M:±20% , K:±10%

● Inductance Tested : 0.33uH~100uH at 100kHz,0.25Vrms , 220uH~390uH at 1MHz/0.25V (20°C)

● IDC: DC current at which the inductance drops approximate 20% from its value without current

● Operating Temperature : -25°C ~ +105°C

● Measure Equipment:

INDUCTANCE : Agilent HP-4284A , HP-4285A

IDC : Agilent HP-4284A+HP-42841A

DCR : CHEN HWA 502A



● SPECIFICATION TABLE:

PART NUMBER 品名	INDUCTANCE ( $\mu$ H) 电感值	DCR (Max) ( $\Omega$ ) 直流电阻	IDC (Max) (A) 额定电流	TEST FREQ (kHz) 测试频率
CKO32-1.0uH/□	1.0	0.045	2.20	100
CKO32-1.2uH/□	1.2	0.055	2.00	100
CKO32-1.5uH/□	1.5	0.055	1.80	100
CKO32-1.8uH/□	1.8	0.09	1.70	100
CKO32-2.2uH/□	2.2	0.09	1.60	100
CKO32-2.7uH/□	2.7	0.10	1.58	100
CKO32-3.3uH/□	3.3	0.11	1.40	100
CKO32-4.7uH/□	4.7	0.15	1.30	100
CKO32-5.6uH/□	5.6	0.20	1.20	100
CKO32-6.8uH/□	6.8	0.22	1.10	100
CKO32-8.2uH/□	8.2	0.24	1.00	100
CKO32-10uH/□	10	0.27	0.90	100
CKO32-15uH/□	15	0.42	0.70	100
CKO32-22uH/□	22	0.68	0.60	100
CKO32-27uH/□	27	0.80	0.50	100
CKO32-33uH/□	33	0.80	0.45	100
CKO32-39uH/□	39	1.00	0.40	100
CKO32-47uH/□	47	1.20	0.30	100
CKO32-56uH/□	56	1.40	0.28	100
CKO32-68uH/□	68	1.80	0.25	100
CKO32-82uH/□	82	2.10	0.22	100
CKO32-100uH/□	100	2.40	0.20	100
CKO32-220uH/□	220	6.00	0.15	1MHz
CKO32-330uH/□	330	8.00	0.15	1MHz
CKO32-560uH/□	560	14.40	0.10	1MHz
CKO32-680uH/□	680	23.00	0.10	1MHz

Remark: ● □ Tolerance: N:±30% , M:±20% , K:±10%

● Inductance Tested : 1uH~100uH at 100kHz,0.25Vrms , 220uH~680uH at 1MHz/0.25V (20℃)

● IDC: DC current at which the inductance drops approximate 20% from its value without current

● Operating Temperature : -25℃ ~ +105℃

● Measure Equipment:

INDUCTANCE : Agilent HP-4284A , HP-4285A

IDC : Agilent HP-4284A+HP-42841A

DCR : CHEN HWA 502A



● SPECIFICATION TABLE:

PART NUMBER 品名	INDUCTANCE ( $\mu$ H) 电感值	DCR (Max) ( $\Omega$ ) 直流电阻	IDC (Max) (A) 额定电流	TEST FREQ (kHz) 测试频率
CKO42-2.2uH/□	2.2	0.060	2.00	100
CKO42-3.3uH/□	3.3	0.080	2.00	100
CKO42-4.7uH/□	4.7	0.120	1.50	100
CKO42-5.6uH/□	5.6	0.140	1.40	100
CKO42-6.8uH/□	6.8	0.170	1.30	100
CKO42-8.2uH/□	8.2	0.200	1.20	100
CKO42-10uH/□	10	0.220	1.00	100
CKO42-15uH/□	15	0.290	0.90	100
CKO42-22uH/□	22	0.410	0.80	100
CKO42-27uH/□	27	0.520	0.65	100
CKO42-33uH/□	33	0.590	0.60	100
CKO42-39uH/□	39	0.710	0.55	100
CKO42-47uH/□	47	0.840	0.50	100
CKO42-56uH/□	56	1.220	0.45	100
CKO42-68uH/□	68	1.400	0.40	100
CKO42-82uH/□	82	1.560	0.35	100
CKO42-100uH/□	100	1.990	0.30	100
CKO42-120uH/□	120	2.300	0.15	1MHz
CKO42-330uH/□	330	3.600	0.10	1MHz

Remark: ● □ Tolerance: N:±30% , M:±20% , K:±10%

- Inductance Tested : 1uH~100uH at 100kHz,0.25Vrms , 120uH~330uH at 1MHz/0.25V (20℃)
- IDC: DC current at which the inductance drops approximate 20% from its value without current
- Operating Temperature : -25℃ ~ +105℃
- Measure Equipment:  
INDUCTANCE : Agilent HP-4284A , HP-4285A  
IDC : Agilent HP-4284A+HP-42841A  
DCR : CHEN HWA 502A



● SPECIFICATION TABLE:

PART NUMBER 品名	INDUCTANCE ( $\mu$ H) 电感值	DCR (Max) ( $\Omega$ ) 直流电阻	IDC (Max) (A) 额定电流	TEST FREQ (kHz) 测试频率
CKO43-1.0uH/□	1.0	0.025	3.00	100
CKO43-1.2uH/□	1.2	0.025	2.90	100
CKO43-1.5uH/□	1.5	0.038	2.85	100
CKO43-1.8uH/□	1.8	0.030	2.80	100
CKO43-2.2uH/□	2.2	0.045	2.50	100
CKO43-3.3uH/□	3.3	0.055	2.10	100
CKO43-4.7uH/□	4.7	0.075	1.80	100
CKO43-5.6uH/□	5.6	0.090	1.70	100
CKO43-6.8uH/□	6.8	0.10	1.50	100
CKO43-8.2uH/□	8.2	0.13	1.30	100
CKO43-10uH/□	10	0.14	1.20	100
CKO43-15uH/□	15	0.23	1.00	100
CKO43-18uH/□	18	0.25	0.90	100
CKO43-22uH/□	22	0.26	0.80	100
CKO43-27uH/□	27	0.33	0.75	100
CKO43-33uH/□	33	0.42	0.70	100
CKO43-39uH/□	39	0.50	0.65	100
CKO43-47uH/□	47	0.58	0.55	100
CKO43-56uH/□	56	0.70	0.50	100
CKO43-68uH/□	68	0.85	0.48	100
CKO43-82uH/□	82	1.00	0.45	100
CKO43-100uH/□	100	1.30	0.30	100
CKO43-150uH/□	150	1.70	0.25	1MHz
CKO43-220uH/□	220	2.70	0.16	1MHz
CKO43-680uH/□	680	9.70	0.15	1MHz
CKO43-1.0mH/□	1000	13.00	0.08	1MHz

Remark: ● □ Tolerance: N:±30% , M:±20% , K:±10%

● Inductance Tested : 1uH~100uH at 100kHz,0.25Vrms , 150uH~1000uH at 1MHz/0.25V (20℃)

● IDC: DC current at which the inductance drops approximate 20% from its value without current

● Operating Temperature : -25℃ ~ +105℃

● Measure Equipment:

INDUCTANCE : Agilent HP-4284A , HP-4285A

IDC : Agilent HP-4284A+HP-42841A

DCR : CHEN HWA 502A





● SPECIFICATION TABLE:

PART NUMBER 品名	INDUCTANCE ( $\mu$ H) 电感值	DCR (Max) ( $\Omega$ ) 直流电阻	IDC (Max) (A) 额定电流	TEST FREQ (kHz) 测试频率
CKO52-2.2uH/□	2.2	0.050	2.40	100
CKO52-3.3uH/□	3.3	0.065	2.20	100
CKO52-4.7uH/□	4.7	0.090	2.00	100
CKO52-5.6uH/□	5.6	0.120	1.80	100
CKO52-6.8uH/□	6.8	0.130	1.60	100
CKO52-8.2uH/□	8.2	0.150	1.50	100
CKO52-10uH/□	10	0.180	1.40	100
CKO52-15uH/□	15	0.270	1.20	100
CKO52-22uH/□	22	0.320	1.00	100
CKO52-27uH/□	27	0.390	1.00	100
CKO52-33uH/□	33	0.470	0.90	100
CKO52-39uH/□	39	0.560	0.80	100
CKO52-47uH/□	47	0.610	0.50	100
CKO52-68uH/□	68	0.970	0.60	100
CKO52-100uH/□	100	1.550	0.50	100
CKO52-220uH/□	220	3.000	0.25	100

Remark: ● □ Tolerance: N:±30% , M:±20% , K:±10%

- Inductance Tested at 100kHz,0.25Vrms (20℃)
- IDC: DC current at which the inductance drops approximate 20% from its value without current
- Operating Temperature : -25℃ ~ +105℃
- Measure Equipment:
  - INDUCTANCE : Agilent HP-4284A , HP-4285A
  - IDC : Agilent HP-4284A+HP-42841A
  - DCR : CHEN HWA 502A



● SPECIFICATION TABLE:

PART NUMBER 品名	INDUCTANCE ( $\mu$ H) 电感值	DCR (Max) ( $\Omega$ ) 直流电阻	IDC (Max) (A) 额定电流	TEST FREQ (kHz) 测试频率
CKO53-1.5uH/□	1.5	0.035	3.10	100
CKO53-2.2uH/□	2.2	0.040	3.00	100
CKO53-2.7uH/□	2.7	0.047	2.90	100
CKO53-3.3uH/□	3.3	0.055	2.80	100
CKO53-3.9uH/□	3.9	0.055	2.70	100
CKO53-4.7uH/□	4.7	0.070	2.60	100
CKO53-5.6uH/□	5.6	0.080	2.50	100
CKO53-6.8uH/□	6.8	0.090	2.40	100
CKO53-8.2uH/□	8.2	0.110	2.30	100
CKO53-10uH/□	10	0.130	2.20	100
CKO53-15uH/□	15	0.180	2.00	100
CKO53-22uH/□	22	0.260	1.60	100
CKO53-27uH/□	27	0.280	1.40	100
CKO53-33uH/□	33	0.380	1.30	100
CKO53-39uH/□	39	0.440	1.20	100
CKO53-47uH/□	47	0.490	0.90	100
CKO53-56uH/□	56	0.550	0.85	100
CKO53-68uH/□	68	0.680	0.80	100
CKO53-82uH/□	82	0.860	0.80	100
CKO53-100uH/□	100	0.960	0.70	100
CKO53-220uH/□	220	2.100	0.30	100
CKO53-270uH/□	270	2.500	0.28	100
CKO53-330uH/□	330	4.000	0.25	100
CKO53-680uH/□	680	8.000	0.18	100
CKO53-1.0mH/□	1000	11.500	0.14	100

Remark: ● □ Tolerance: N:±30% , M:±20% , K:±10%

● Inductance Tested at 100kHz,0.25Vrms (20℃)

● IDC: DC current at which the inductance drops approximate 20% from its value without current

● Operating Temperature : -25℃ ~ +105℃

● Measure Equipment:

INDUCTANCE : Agilent HP-4284A , HP-4285A

IDC : Agilent HP-4284A+HP-42841A

DCR : CHEN HWA 502A



● SPECIFICATION TABLE:

PART NUMBER 品名	INDUCTANCE ( $\mu$ H) 电感值	DCR (Max) ( $\Omega$ ) 直流电阻	IDC (Max) (A) 额定电流	TEST FREQ (kHz) 测试频率
CKO54-1.0uH/□	1.0	0.013	4.60	100
CKO54-1.2uH/□	1.2	0.015	4.50	100
CKO54-1.5uH/□	1.5	0.020	4.00	100
CKO54-2.2uH/□	2.2	0.026	3.50	100
CKO54-3.3uH/□	3.3	0.035	3.00	100
CKO54-4.7uH/□	4.7	0.045	2.80	100
CKO54-5.6uH/□	5.6	0.050	2.70	100
CKO54-6.8uH/□	6.8	0.060	2.50	100
CKO54-8.2uH/□	8.2	0.070	2.20	100
CKO54-10uH/□	10	0.080	2.00	100
CKO54-15uH/□	15	0.120	1.80	100
CKO54-22uH/□	22	0.150	1.20	100
CKO54-27uH/□	27	0.160	1.10	100
CKO54-33uH/□	33	0.200	1.00	100
CKO54-39uH/□	39	0.260	0.90	100
CKO54-47uH/□	47	0.340	0.85	100
CKO54-56uH/□	56	0.380	0.80	100
CKO54-68uH/□	68	0.440	0.60	100
CKO54-82uH/□	82	0.500	0.60	100
CKO54-100uH/□	100	0.660	0.50	100
CKO54-120uH/□	120	0.850	0.45	100
CKO54-220uH/□	220	1.500	0.25	100
CKO54-270uH/□	270	1.800	0.23	100
CKO54-330uH/□	330	2.500	0.30	100
CKO54-470uH/□	470	3.400	0.30	100
CKO54-1.0mH/□	1000	5.440	0.12	100

Remark: ● □ Tolerance: N:±30% , M:±20% , K:±10%

- Inductance Tested at 100kHz,0.25Vrms (20°C)
- IDC: DC current at which the inductance drops approximate 20% from its value without current
- Operating Temperature : -25°C ~ +105°C
- Measure Equipment:
  - INDUCTANCE : Agilent HP-4284A , HP-4285A
  - IDC : Agilent HP-4284A+HP-42841A
  - DCR : CHEN HWA 502A



● SPECIFICATION TABLE:

PART NUMBER 品名	INDUCTANCE ( $\mu$ H) 电感值	DCR (Max) ( $\Omega$ ) 直流电阻	IDC (Max) (A) 额定电流	TEST FREQ (kHz) 测试频率
CKO73-1.5uH/□	1.5	0.015	5.00	100
CKO73-2.2uH/□	2.2	0.015	4.50	100
CKO73-3.3uH/□	3.3	0.035	3.50	100
CKO73-4.7uH/□	4.7	0.040	3.20	100
CKO73-5.6uH/□	5.6	0.050	3.00	100
CKO73-6.8uH/□	6.8	0.055	2.50	100
CKO73-8.2uH/□	8.2	0.060	2.30	100
CKO73-10uH/□	10	0.080	2.00	100
CKO73-15uH/□	15	0.110	1.80	100
CKO73-22uH/□	22	0.140	1.60	100
CKO73-27uH/□	27	0.180	1.40	100
CKO73-33uH/□	33	0.210	1.30	100
CKO73-39uH/□	39	0.220	1.20	100
CKO73-47uH/□	47	0.230	1.10	100
CKO73-56uH/□	56	0.350	1.00	100
CKO73-68uH/□	68	0.370	0.90	100
CKO73-82uH/□	82	0.390	0.80	100
CKO73-100uH/□	100	0.530	0.70	100
CKO73-220uH/□	220	0.990	0.50	100
CKO73-330uH/□	330	1.580	0.40	100
CKO73-470uH/□	470	2.100	0.30	100

Remark: ● □ Tolerance: N:±30% , M:±20% , K:±10%

● Inductance Tested at 100kHz,0.25Vrms (20℃)

● IDC: DC current at which the inductance drops approximate 20% from its value without current

● Operating Temperature : -25℃ ~ +105℃

● Measure Equipment:

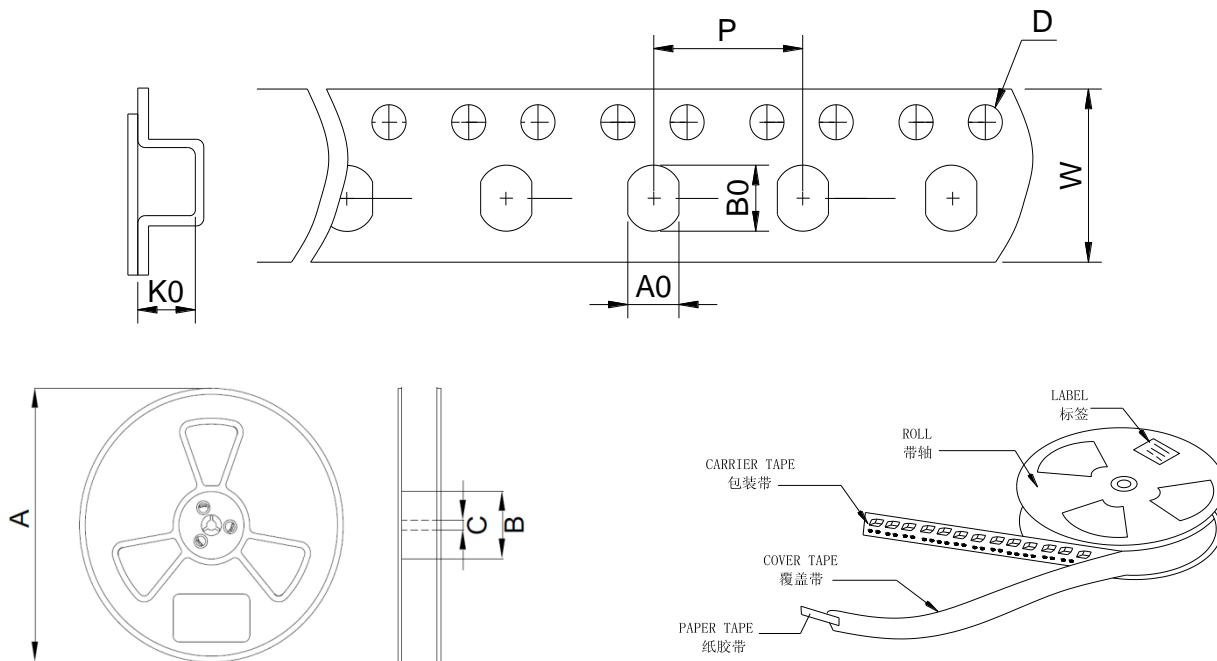
INDUCTANCE : Agilent HP-4284A , HP-4285A

IDC : Agilent HP-4284A+HP-42841A

DCR : CHEN HWA 502A



● PACKAGING SPECIFICATION :



Type	Tape Dimension						Reel Dimension			Quantity (Pcs/Reel)
	W	A0	B0	K0	D	P	A	B	C	
CKO31	12.0	3.2	3.6	1.6	1.5	8.0	330	100	13	4000
CKO32	12.0	3.3	3.8	2.5	1.5	8.0	330	100	13	3000
CKO42	12.0	4.3	4.8	2.6	1.5	8.0	330	100	13	3000
CKO43	12.0	4.2	4.8	3.5	1.5	8.0	330	100	13	2000
CKO52	12.0	5.5	6.1	2.7	1.5	8.0	330	100	13	3000
CKO53	12.0	5.5	6.1	3.6	1.5	8.0	330	100	13	2000
CKO54	12.0	5.6	6.3	5.2	1.5	8.0	330	100	13	1500
CKO73	16.0	7.4	8.5	3.8	1.5	12.0	330	100	13	1000
CKO75	16.0	7.6	8.6	5.6	1.5	12.0	330	100	13	1000
CKO104	24.0	9.1	10.1	4.8	1.5	12.0	330	100	13	1000
CKO105	24.0	9.1	10.1	6.1	1.5	12.0	330	100	13	1000