



● **FEATURES 特性**

Various high power inductors are superior to be high saturation for surface mounting.

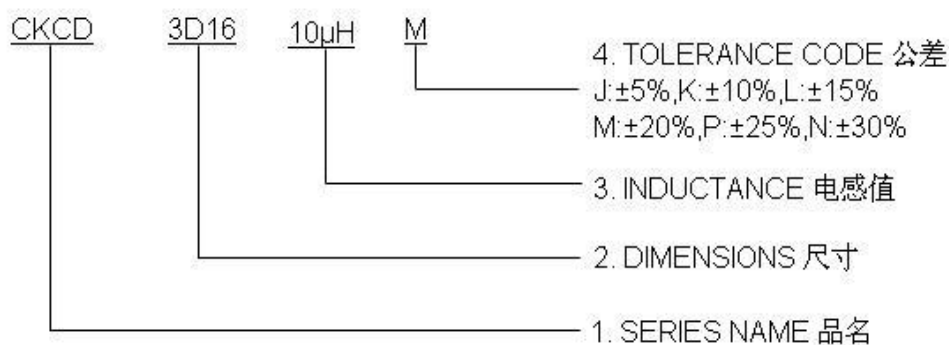
具有高功率、高饱和电流、低阻抗、小型化之特性。

● **APPLICATIONS 用途**

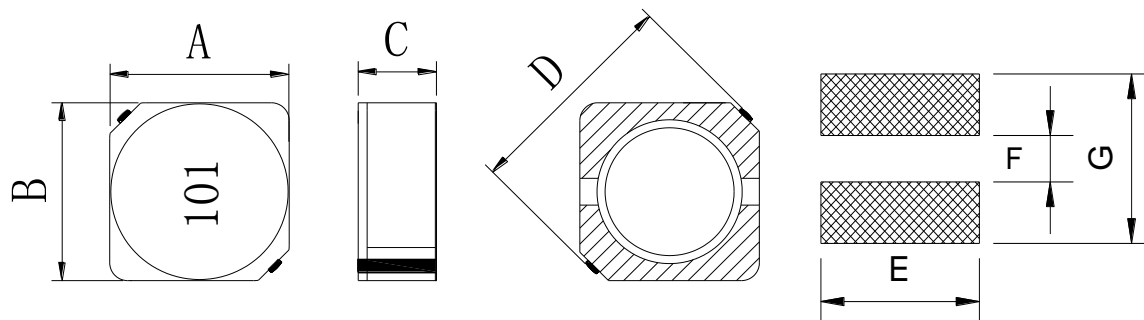
Power supply for TVR,OA equipment Digital camera,LCD television set notebook PC, portable communicaton equipments,DC/DC converters,etc.

录影机，OA仪器，数码相机，液晶电视，笔记本电脑，小型通信设备，DC/DC转换器。

● **PART NUMBERING SYSTEM 品名系统**



● **SHAPES AND DIMENSIONS 外形尺寸 (Unit:mm)**

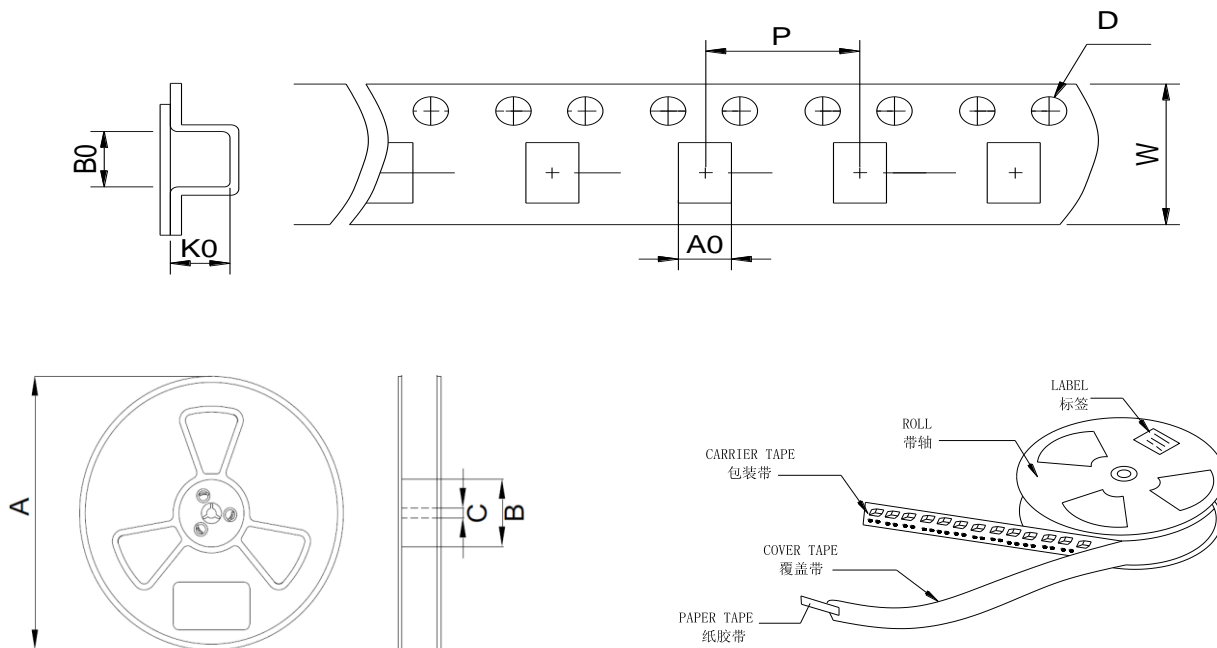


Recommended patterns

TYPE(型号)	A	B	C (Max)	D (Max)	E	F	G
CKCD2D18	3.2±0.3	3.2±0.3	2.3	4.2	3.3	0.5	3.3
CKCD3D16	3.8±0.5	3.8±0.5	2.1	5.5	4.3	1.0	4.3
CKCD3D28	3.8±0.5	3.8±0.5	3.2	5.5	4.3	1.0	4.3
CKCD4D18	4.7±0.5	4.7±0.5	2.1	6.9	5.3	1.5	5.3
CKCD4D28	4.7±0.5	4.7±0.5	3.5	6.9	5.3	1.5	5.3
CKCD5D18	5.7±0.5	5.7±0.5	2.2	8.2	6.3	2.0	6.3
CKCD5D28	5.7±0.5	5.7±0.5	3.2	8.2	6.3	2.0	6.3
CKCD6D28	6.7±0.5	6.7±0.5	3.2	9.5	7.3	2.0	7.3
CKCD6D38	6.7±0.5	6.7±0.5	4.2	9.5	7.3	2.0	7.3



● PACKAGING SPECIFICATION :



Type	Tape Dimension						Reel Dimension			Quantity (Pcs/Reel)
	W	A0	B0	K0	D	P	A	B	C	
CKCD2D18	12.0	3.3	3.3	2.5	1.5	8.0	330	100	13	4000
CKCD3D16	12.0	4.2	4.2	2.4	1.5	8.0	330	100	13	3000
CKCD3D28	12.0	4.2	4.2	3.5	1.5	8.0	330	100	13	2000
CKCD4D18	12.0	5.4	5.4	2.5	1.5	8.0	330	100	13	3000
CKCD4D28	12.0	5.5	5.5	3.8	1.5	8.0	330	100	13	2000
CKCD5D18	16.0	6.1	6.1	2.5	1.5	8.0	330	100	13	2000
CKCD5D28	16.0	6.1	6.1	3.2	1.5	8.0	330	100	13	2000
CKCD6D28	16.0	7.2	7.2	3.5	1.5	12.0	330	100	13	1500
CKCD6D38	16.0	7.6	7.6	4.5	1.5	12.0	330	100	13	1000
CKCD8D28	24.0	8.4	9.3	3.5	1.5	12.0	330	100	13	1500
CKCD8D38	24.0	8.4	9.3	5.2	1.5	12.0	330	100	13	1000
CKCD8D43	24.0	8.4	9.3	5.2	1.5	12.0	330	100	13	1000
CKCD8D58	24.0	8.4	9.3	6.0	1.5	12.0	330	100	13	800



● SPECIFICATION TABLE:

PART NUMBER 品名	INDUCTANCE (μ H) 电感值	DCR (Max) (Ω) 直流电阻	IDC (Max) (A) 额定电流	TEST FREQ (kHz) 测试频率
CKCD2D18-2.2uH/N	2.2 \pm 30%	0.11	1.10	100
CKCD2D18-3.3uH/N	3.3 \pm 30%	0.12	1.00	100
CKCD2D18-4.7uH/N	4.7 \pm 30%	0.16	0.90	100
CKCD2D18-6.8uH/N	6.8 \pm 30%	0.23	0.58	100
CKCD2D18-10uH/M	10 \pm 20%	0.32	0.50	100
CKCD2D18-22uH/M	22 \pm 20%	0.70	0.24	100
CKCD2D18-47uH/M	47 \pm 20%	1.30	0.22	100
CKCD2D18-100uH/M	100 \pm 20%	3.5	0.17	100

● SPECIFICATION TABLE:

PART NUMBER 品名	INDUCTANCE (μ H) 电感值	DCR (Max) (Ω) 直流电阻	IDC (Max) (A) 额定电流	TEST FREQ (kHz) 测试频率
CKCD3D16-1.5uH/N	1.5 \pm 30%	0.075	1.30	100
CKCD3D16-2.2uH/N	2.2 \pm 30%	0.100	1.20	100
CKCD3D16-3.3uH/N	3.3 \pm 30%	0.140	1.00	100
CKCD3D16-4.7uH/N	4.7 \pm 30%	0.150	0.90	100
CKCD3D16-5.6uH/N	5.6 \pm 30%	0.160	0.83	100
CKCD3D16-6.8uH/N	6.8 \pm 30%	0.170	0.73	100
CKCD3D16-10uH/M	10 \pm 20%	0.200	0.60	100
CKCD3D16-15uH/M	15 \pm 20%	0.450	0.45	100
CKCD3D16-22uH/M	22 \pm 20%	0.500	0.40	100
CKCD3D16-47uH/M	47 \pm 20%	1.200	0.30	100
CKCD3D16-100uH/M	100 \pm 20%	1.830	0.10	100
CKCD3D16-470uH/M	470 \pm 20%	9.200	0.08	100

Remark: ● Inductance Tested at 100kHz,0.25Vrms (20°C)

- IDC: DC current at which the inductance drops approximate 20% from its value without current
- Operating Temperature : -25°C ~ +105°C
- Measure Equipment:

INDUCTANCE : Agilent HP-4284A , HP-4285A

IDC : Agilent HP-4284A+HP-42841A

DCR : CHEN HWA 502A



● SPECIFICATION TABLE:

PART NUMBER 品名	INDUCTANCE (μ H) 电感值	DCR (Max) (Ω) 直流电阻	IDC (Max) (A) 额定电流	TEST FREQ (kHz) 测试频率
CKCD3D28-2.2uH/N	2.2 \pm 30%	0.075	1.80	100
CKCD3D28-3.3uH/N	3.3 \pm 30%	0.096	1.50	100
CKCD3D28-4.7uH/M	4.7 \pm 20%	0.110	1.20	100
CKCD3D28-6.8uH/M	6.8 \pm 20%	0.130	1.00	100
CKCD3D28-10uH/M	10 \pm 20%	0.210	0.90	100
CKCD3D28-22uH/M	22 \pm 20%	0.280	0.60	100
CKCD3D28-33uHM	33 \pm 20%	0.350	0.36	100
CKCD3D28-39uH/M	39 \pm 20%	0.700	0.20	100
CKCD3D28-100uH/M	100 \pm 20%	0.930	0.16	100
CKCD3D28-220uH/M	220 \pm 20%	2.600	0.14	100

● SPECIFICATION TABLE:

PART NUMBER 品名	INDUCTANCE (μ H) 电感值	DCR (Max) (Ω) 直流电阻	IDC (Max) (A) 额定电流	TEST FREQ (kHz) 测试频率
CKCD4D18-1.0uH/N	1.0 \pm 30%	0.050	2.00	100
CKCD4D18-1.5uH/N	1.5 \pm 30%	0.058	1.80	100
CKCD4D18-2.2uH/N	2.2 \pm 30%	0.070	1.50	100
CKCD4D18-3.3uH/N	3.3 \pm 30%	0.110	1.00	100
CKCD4D18-4.7uH/M	4.7 \pm 20%	0.120	0.80	100
CKCD4D18-6.8uH/M	6.8 \pm 20%	0.162	0.70	100
CKCD4D18-10uH/M	10 \pm 20%	0.180	0.65	100
CKCD4D18-15uH/M	15 \pm 20%	0.290	0.60	100
CKCD4D18-22uH/M	22 \pm 20%	0.450	0.50	100
CKCD4D18-33uH/M	33 \pm 20%	0.680	0.40	100
CKCD4D18-47uH/M	47 \pm 20%	0.950	0.30	100
CKCD4D18-100uH/M	100 \pm 20%	2.200	0.20	100
CKCD4D18-220uH/M	220 \pm 20%	4.000	0.15	100
CKCD4D18-470uH/M	470 \pm 20%	7.300	0.12	100

Remark: ● Inductance Tested at 100kHz,0.25Vrms (20°C)

- IDC: DC current at which the inductance drops approximate 20% from its value without current
- Operating Temperature : -25°C ~ +105°C
- Measure Equipment:

INDUCTANCE : Agilent HP-4284A , HP-4285A

IDC : Agilent HP-4284A+HP-42841A

DCR : CHEN HWA 502A



● SPECIFICATION TABLE:

PART NUMBER 品名	INDUCTANCE (μ H) 电感值	DCR (Max) (Ω) 直流电阻	IDC (Max) (A) 额定电流	TEST FREQ (kHz) 测试频率
CKCD4D28-1.0uH/N	1.0 \pm 30%	0.030	2.40	100
CKCD4D28-1.2uH/N	1.2 \pm 30%	0.035	2.20	100
CKCD4D28-1.5uH/N	1.5 \pm 30%	0.040	2.10	100
CKCD4D28-1.8uH/N	1.8 \pm 30%	0.045	2.00	100
CKCD4D28-2.2uH/M	2.2 \pm 20%	0.050	1.80	100
CKCD4D28-3.3uH/M	3.3 \pm 20%	0.060	1.60	100
CKCD4D28-4.7uH/M	4.7 \pm 20%	0.065	1.50	100
CKCD4D28-6.8uH/M	6.8 \pm 20%	0.080	1.10	100
CKCD4D28-10uH/M	10 \pm 20%	0.130	0.90	100
CKCD4D28-22uH/M	22 \pm 20%	0.220	0.60	100
CKCD4D28-33uH/M	33 \pm 20%	0.350	0.50	100
CKCD4D28-47uH/M	47 \pm 20%	0.450	0.40	100
CKCD4D28-56uH/M	56 \pm 20%	0.480	0.38	100
CKCD4D28-68uH/M	68 \pm 20%	0.700	0.35	100
CKCD4D28-100uH/M	100 \pm 20%	0.900	0.30	100
CKCD4D28-150uH/M	150 \pm 20%	1.200	0.20	100
CKCD4D28-180uH/M	180 \pm 20%	1.300	0.18	100
CKCD4D28-220uH/M	220 \pm 20%	1.800	0.15	100
CKCD4D28-300uHM	330 \pm 20%	2.300	0.05	100

Remark: ● Inductance Tested at 100kHz,0.25Vrms (20°C)

● IDC: DC current at which the inductance drops approximate 20% from its value without current

● Operating Temperature : -25°C ~ +105°C

● Measure Equipment:

INDUCTANCE : Agilent HP-4284A , HP-4285A

IDC : Agilent HP-4284A+HP-42841A

DCR : CHEN HWA 502A



● SPECIFICATION TABLE:

PART NUMBER 品名	INDUCTANCE (μ H) 电感值	DCR (Max) (Ω) 直流电阻	IDC (Max) (A) 额定电流	TEST FREQ (kHz) 测试频率
CKCD5D18-0.9uH/N	0.9 \pm 30%	0.040	2.30	100
CKCD5D18-1.8uH/N	1.8 \pm 30%	0.045	2.00	100
CKCD5D18-2.2uH/N	2.2 \pm 30%	0.060	1.80	100
CKCD5D18-3.3uH/N	3.3 \pm 30%	0.065	1.50	100
CKCD5D18-4.1uH/N	4.1 \pm 30%	0.075	1.30	100
CKCD5D18-4.7uH/M	4.7 \pm 20%	0.080	1.00	100
CKCD5D18-6.8uH/M	6.8 \pm 20%	0.140	0.90	100
CKCD5D18-10uH/M	10 \pm 20%	0.160	0.80	100
CKCD5D18-15uH/M	15 \pm 20%	0.200	0.60	100
CKCD5D18-22uH/M	22 \pm 20%	0.300	0.58	100
CKCD5D18-33uH/M	33 \pm 20%	0.510	0.55	100

● SPECIFICATION TABLE:

PART NUMBER 品名	INDUCTANCE (μ H) 电感值	DCR (Max) (Ω) 直流电阻	IDC (Max) (A) 额定电流	TEST FREQ (kHz) 测试频率
CKCD5D28-1.8uH/N	1.5 \pm 30%	0.030	2.20	100
CKCD5D28-2.2uH/N	2.2 \pm 30%	0.035	2.00	100
CKCD5D28-3.3uH/N	3.3 \pm 30%	0.060	1.90	100
CKCD5D28-4.7uH/M	4.7 \pm 20%	0.065	1.50	100
CKCD5D28-6.2uH/M	6.2 \pm 20%	0.070	1.30	100
CKCD5D28-6.8uH/M	6.8 \pm 20%	0.075	1.25	100
CKCD5D28-8.2uH/M	8.2 \pm 20%	0.085	1.20	100
CKCD5D28-10uH/M	10 \pm 20%	0.090	1.00	100
CKCD5D28-15uH/M	15 \pm 20%	0.110	0.80	100
CKCD5D28-18uH/M	18 \pm 20%	0.150	0.75	100
CKCD5D28-22uH/M	22 \pm 20%	0.170	0.70	100
CKCD5D28-33uH/M	33 \pm 20%	0.265	0.50	100
CKCD5D28-47uH/M	47 \pm 20%	0.300	0.45	100
CKCD5D28-68uH/M	68 \pm 20%	0.600	0.40	100
CKCD5D28-100uH/M	100 \pm 20%	0.700	0.30	100
CKCD5D28-120uH/M	120 \pm 20%	0.800	0.25	100
CKCD5D28-220uH/M	220 \pm 20%	1.500	0.20	100



● SPECIFICATION TABLE:

PART NUMBER 品名	INDUCTANCE (μ H) 电感值	DCR (Max) (Ω) 直流电阻	IDC (Max) (A) 额定电流	TEST FREQ (kHz) 测试频率
CKCD6D28-1.5uH/N	1.5 \pm 30%	0.038	3.00	100
CKCD6D28-2.2uH/N	2.2 \pm 30%	0.040	2.80	100
CKCD6D28-3.3uH/N	3.3 \pm 30%	0.045	2.20	100
CKCD6D28-4.7uH/M	4.7 \pm 20%	0.060	1.80	100
CKCD6D28-6.8uH/M	6.8 \pm 20%	0.070	1.50	100
CKCD6D28-10uH/M	10 \pm 20%	0.080	1.30	100
CKCD6D28-15uH/M	15 \pm 20%	0.110	0.90	100
CKCD6D28-22uH/M	22 \pm 20%	0.145	0.80	100
CKCD6D28-33uH/M	33 \pm 20%	0.220	0.60	100
CKCD6D28-47uH/M	47 \pm 20%	0.270	0.50	100
CKCD6D28-100uH/M	100 \pm 20%	0.700	0.40	100
CKCD6D28-150uH/M	150 \pm 20%	0.950	0.38	100

● SPECIFICATION TABLE:

PART NUMBER 品名	INDUCTANCE (μ H) 电感值	DCR (Max) (Ω) 直流电阻	IDC (Max) (A) 额定电流	TEST FREQ (kHz) 测试频率
CKCD6D38-2.2uH/N	2.2 \pm 30%	0.033	3.00	100
CKCD6D38-3.3uH/N	3.3 \pm 30%	0.035	2.80	100
CKCD6D38-4.7uH/M	4.7 \pm 20%	0.040	2.30	100
CKCD6D38-6.8uH/N	6.8 \pm 30%	0.050	2.00	100
CKCD6D38-10uH/M	10 \pm 20%	0.070	1.80	100
CKCD6D38-15uH/M	15 \pm 20%	0.105	1.50	100
CKCD6D38-18uH/M	18 \pm 20%	0.120	1.40	100
CKCD6D38-22uH/M	22 \pm 20%	0.160	1.30	100
CKCD6D38-33uH/M	33 \pm 20%	0.170	1.00	100
CKCD6D38-47uH/M	47 \pm 20%	0.250	0.90	100
CKCD6D38-56uH/M	56 \pm 20%	0.260	0.85	100
CKCD6D38-68uH/M	68 \pm 20%	0.270	0.60	100
CKCD6D38-82uH/M	82 \pm 20%	0.300	0.45	100
CKCD6D38-100uH/M	100 \pm 20%	0.400	0.40	100
CKCD6D38-150uH/M	150 \pm 20%	0.850	0.35	100
CKCD6D38-220uH/M	220 \pm 20%	1.050	0.30	100
CKCD6D38-330uH/M	330 \pm 20%	1.60	0.20	100
CKCD6D38-470uH/M	470 \pm 20%	2.50	0.25	100
CKCD6D38-2.2mH/M	2200 \pm 20%	12.00	0.05	100



● **FEATURES 特性**

Various high power inductors are superior to be high saturation for surface mounting.

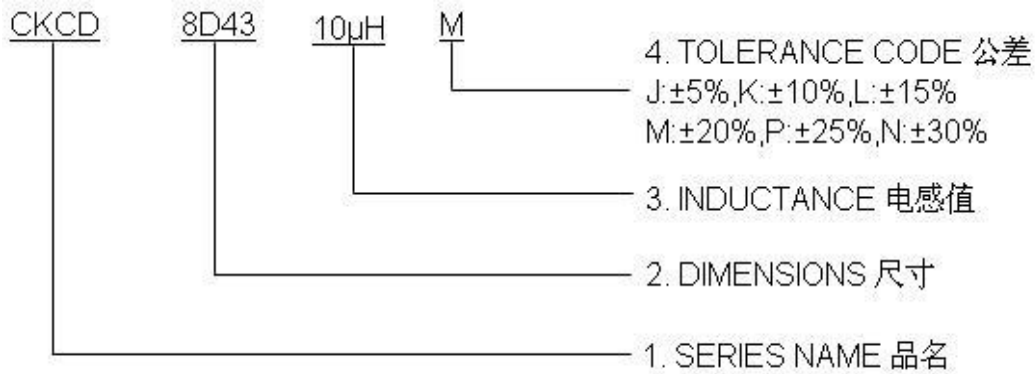
具有高功率、高饱和电流、低阻抗、小型化之特性。

● **APPLICATIONS 用途**

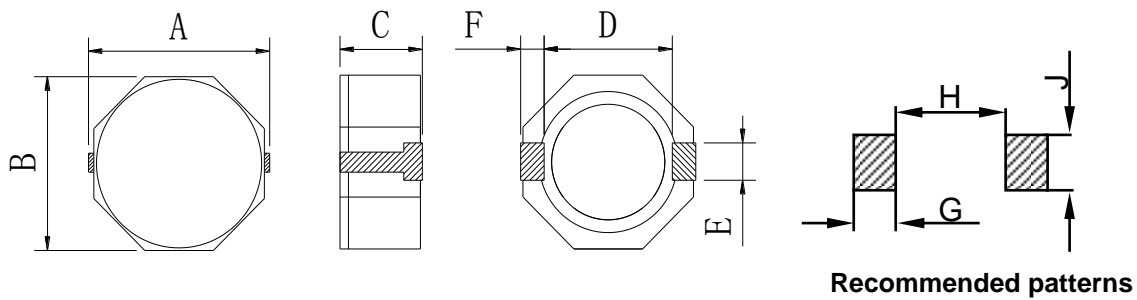
Power supply for TVR,OA equipment Digital camera,LCD television set notebook PC, portable communicaton equipments,DC/DC converters,etc.

录影机，OA仪器，数码相机，液晶电视，笔记本电脑，小型通信设备，DC/DC转换器。

● **PART NUMBERING SYSTEM 品名系统**



● **SHAPES AND DIMENSIONS 外形尺寸 (Unit:mm)**



TYPE(型号)	A (Max)	B (Max)	C (Max)	D (Ref)	E (Ref)	F (Ref)	G	H	J
CKCD8D28	10.0	8.5	3.3	6.0	2.5	1.2	2.0	6.1	2.8
CKCD8D38	10.0	8.5	4.3	6.0	2.5	1.2	2.0	6.1	2.8
CKCD8D43	10.2	8.5	5.0	6.0	2.5	1.2	2.0	6.1	2.8
CKCD8D58	10.2	8.5	6.5	6.0	2.5	1.2	2.0	6.1	2.8



● SPECIFICATION TABLE:

PART NUMBER 品名	INDUCTANCE (μ H) 电感值	DCR (Max) (Ω) 直流电阻	IDC (Max) (A) 额定电流	TEST FREQ (kHz) 测试频率
CKCD8D28-3.3uH/N	3.3 \pm 30%	0.032	4.00	100
CKCD8D28-4.7uH/N	4.7 \pm 30%	0.045	3.50	100
CKCD8D28-6.8uH/M	6.8 \pm 20%	0.067	3.00	100
CKCD8D28-10uH/M	10 \pm 20%	0.089	2.50	100
CKCD8D28-15uH/M	15 \pm 20%	0.120	1.80	100
CKCD8D28-22uH/M	22 \pm 20%	0.180	1.60	100
CKCD8D28-47uH/M	47 \pm 20%	0.300	1.00	100
CKCD8D28-68uH/M	68 \pm 20%	0.330	0.90	100
CKCD8D28-100uH/M	100 \pm 20%	0.500	0.50	100

● SPECIFICATION TABLE:

PART NUMBER 品名	INDUCTANCE (μ H) 电感值	DCR (Max) (Ω) 直流电阻	IDC (Max) (A) 额定电流	TEST FREQ (kHz) 测试频率
CKCD8D38-4.7uH/N	4.7 \pm 30%	0.030	3.50	100
CKCD8D38-6.8uH/M	6.8 \pm 20%	0.038	3.30	100
CKCD8D38-10uH/M	10 \pm 20%	0.065	2.50	100
CKCD8D38-15uH/M	15 \pm 20%	0.080	2.00	100
CKCD8D38-47uH/M	47 \pm 20%	0.230	1.30	100
CKCD8D38-68uH/M	68 \pm 20%	0.300	1.20	100
CKCD8D38-100uH/M	100 \pm 20%	0.450	1.00	100
CKCD8D38-150uH/M	150 \pm 20%	0.650	0.80	100
CKCD8D38-220uH/M	220 \pm 20%	1.000	0.60	100

Remark: ● Inductance Tested at 100kHz,0.25Vrms (20°C)

- IDC: DC current at which the inductance drops approximate 20% from its value without current
- Operating Temperature : -25°C ~ +105°C
- Measure Equipment:

INDUCTANCE : Agilent HP-4284A , HP-4285A

IDC : Agilent HP-4284A+HP-42841A

DCR : CHEN HWA 502A



● SPECIFICATION TABLE:

PART NUMBER 品名	INDUCTANCE (μ H) 电感值	DCR (Max) (Ω) 直流电阻	IDC (Max) (A) 额定电流	TEST FREQ (kHz) 测试频率
CKCD8D43-1.0uH/N	1.0 \pm 30%	0.015	5.00	100
CKCD8D43-1.5uH/N	1.5 \pm 30%	0.028	4.50	100
CKCD8D43-2.2uH/N	2.2 \pm 30%	0.030	4.00	100
CKCD8D43-3.3uH/N	3.3 \pm 30%	0.036	3.00	100
CKCD8D43-4.7uH/N	4.7 \pm 30%	0.040	2.80	100
CKCD8D43-6.8uHM	6.8 \pm 20%	0.050	2.50	100
CKCD8D43-10uH/M	10 \pm 20%	0.060	2.30	100
CKCD8D43-12uH/M	12 \pm 20%	0.066	2.20	100
CKCD8D43-15uH/M	15 \pm 20%	0.080	2.10	100
CKCD8D43-22uH/M	22 \pm 20%	0.105	1.80	100
CKCD8D43-33uH/M	33 \pm 20%	0.140	1.20	100
CKCD8D43-47uH/M	47 \pm 20%	0.200	1.00	100
CKCD8D43-68uH/M	68 \pm 20%	0.270	0.95	100
CKCD8D43-100uH/M	100 \pm 20%	0.390	0.80	100
CKCD8D43-150uH/M	150 \pm 20%	0.500	0.60	100
CKCD8D43-220uH/M	220 \pm 20%	0.680	0.50	100
CKCD8D43-270uH/M	270 \pm 20%	0.780	0.45	100
CKCD8D43-330uH/M	330 \pm 20%	1.00	0.35	100
CKCD8D43-680uH/M	680 \pm 20%	2.00	0.20	100

● SPECIFICATION TABLE:

PART NUMBER 品名	INDUCTANCE (μ H) 电感值	DCR (Max) (Ω) 直流电阻	IDC (Max.) (A) 额定电流	TEST FREQ (KHz) 测试频率
CKCD8D58-2.2uH/N	2.2 \pm 30%	0.018	3.00	100
CKCD8D58-3.3uH/N	3.3 \pm 30%	0.024	2.80	100
CKCD8D58-4.7uH/N	4.7 \pm 30%	0.030	2.70	100
CKCD8D58-6.8uH/M	6.8 \pm 30%	0.035	2.65	100
CKCD8D58-10uH/M	10 \pm 20%	0.040	2.60	100
CKCD8D58-15uH/M	15 \pm 20%	0.060	2.50	100
CKCD8D58-22uH/M	22 \pm 20%	0.075	2.30	100
CKCD8D58-33uH/M	33 \pm 20%	0.083	1.70	100
CKCD8D58-47uH/M	47 \pm 20%	0.145	1.20	100
CKCD8D58-100uH/M	100 \pm 20%	0.350	1.00	100