



● **FEATURES 特性**

The Surface Mount Inductors are designed for the smallest possible size and high performance. They are with high energy storage and very Low resistance making them the ideal inductors for DC-DC conversion in the following applications.

表面贴装高功率电感,具有小型化,高品质,高能量储存和低阻值之特性。

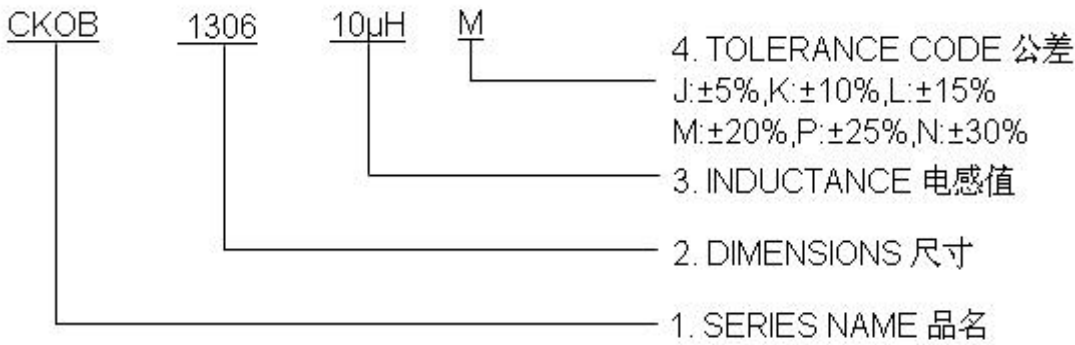
● **APPLICATIONS 用途**

VGA display card, Notebook Computers, PDAs, Step-up and step-down converters.

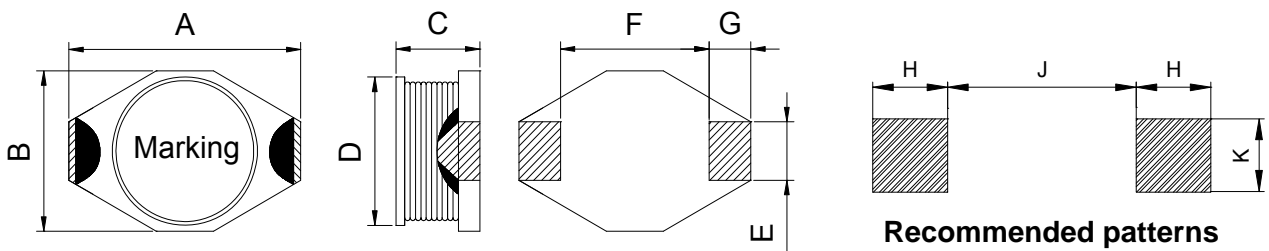
Flash Memory programmers, etc.

电脑显示板卡,笔记本电脑,后置偏转加速电极,升降压转换器,脉冲记忆程序设计等。

● **PART NUMBERING SYSTEM 品名系统**



● **SHAPES AND DIMENSIONS 外形尺寸 (Unit:mm)**



TYPE(型号)	A (Max)	B (Max)	C (Max)	D	E	F	G	H	J	K
CKOB1608	8.0	4.8	3.5	4.5	1.2	3.9	1.15	0.95	3.83	1.16
CKOB1306	14.0	10.0	5.2	8.4	2.54	7.6	2.54	2.92	7.37	2.79
CKOB1312	14.0	10.0	11.5	8.4	2.54	7.6	2.54	2.92	7.37	2.79
CKOB1808	19.5	15.5	7.0	12.7	2.7	12.7	2.54	2.92	13.10	2.79



● SPECIFICATION TABLE:

PART NUMBER 品名	INDUCTANCE (μ H) 电感值	DCR (Max) (Ω) 直流电阻	IDC (Max) (A) 额定电流	TEST FREQ (kHz) 测试频率
CKOB1608-1.0uH/N	1.0 \pm 30%	0.050	2.90	100
CKOB1608-2.2uH/M	2.2 \pm 20%	0.100	2.50	100
CKOB1608-3.3uH/M	3.3 \pm 20%	0.108	2.30	100
CKOB1608-4.7uH/M	4.7 \pm 20%	0.115	1.90	100
CKOB1608-6.8uH/M	6.8 \pm 20%	0.190	1.60	100
CKOB1608-10uH/M	10 \pm 20%	0.300	1.30	100
CKOB1608-22uH/M	22 \pm 20%	0.370	0.70	100
CKOB1608-33uH/M	33 \pm 20%	0.800	0.60	100
CKOB1608-47uH/M	47 \pm 20%	1.00	0.50	100
CKOB1608-100uH/M	100 \pm 20%	2.40	0.32	100
CKOB1608-220uH/M	220 \pm 20%	5.20	0.20	100
CKOB1608-330uH/M	330 \pm 20%	8.70	0.10	100

● SPECIFICATION TABLE:

PART NUMBER 品名	INDUCTANCE (μ H) 电感值	DCR (Max) (Ω) 直流电阻	IDC (Max) (A) 额定电流	TEST FREQ (kHz) 测试频率
CKOB1306-1.0uH/N	1.0 \pm 30%	0.016	8.00	100
CKOB1306-2.2uH/M	2.2 \pm 20%	0.022	7.00	100
CKOB1306-3.3uH/M	3.3 \pm 20%	0.025	6.40	100
CKOB1306-4.7uH/M	4.7 \pm 20%	0.027	4.80	100
CKOB1306-6.8uH/M	6.8 \pm 20%	0.038	4.50	100
CKOB1306-10uH/M	10 \pm 20%	0.050	3.80	100
CKOB1306-15uH/M	15 \pm 20%	0.068	3.00	100
CKOB1306-22uH/M	22 \pm 20%	0.085	2.40	100
CKOB1306-33uH/M	33 \pm 20%	0.130	2.00	100
CKOB1306-47uH/M	47 \pm 20%	0.150	1.80	100
CKOB1306-68uH/M	68 \pm 20%	0.260	1.30	100
CKOB1306-100uH/M	100 \pm 20%	0.350	1.20	100
CKOB1306-150uH/M	150 \pm 20%	0.450	0.80	100
CKOB1306-220uH/M	220 \pm 20%	0.750	0.75	100
CKOB1306-330uH/M	330 \pm 20%	1.020	0.60	100
CKOB1306-1.0mH/M	1000 \pm 20%	3.500	0.35	100



● SPECIFICATION TABLE:

PART NUMBER 品名	INDUCTANCE (μ H) 电感值	DCR (Max) (Ω) 直流电阻	IDC (Max) (A) 额定电流	TEST FREQ (kHz) 测试频率
CKOB1312-6.8uH/M	6.8 \pm 20%	0.030	6.00	100
CKOB1312-10uH/M	10 \pm 20%	0.038	5.50	100
CKOB1312-18uH/M	18 \pm 20%	0.075	5.00	100
CKOB1312-22uH/M	22 \pm 20%	0.080	4.00	100
CKOB1312-33uH/M	33 \pm 20%	0.100	3.80	100
CKOB1312-47uH/M	47 \pm 20%	0.120	3.50	100
CKOB1312-68uH/M	68 \pm 20%	0.190	2.70	100
CKOB1312-100uH/M	100 \pm 20%	0.250	2.50	100
CKOB1312-330uH/M	330 \pm 20%	0.700	1.20	100
CKOB1312-2.0mH/M	2000 \pm 20%	5.30	0.45	100
CKOB1312-2.2mH/M	2200 \pm 20%	5.40	0.40	100

● SPECIFICATION TABLE:

PART NUMBER 品名	INDUCTANCE (μ H) 电感值	DCR (Max) (Ω) 直流电阻	IDC (Max) (A) 额定电流	TEST FREQ (kHz) 测试频率
CKOB1808-1.0uH/N	1.0 \pm 30%	0.009	20.00	100
CKOB1808-4.7uH/M	4.7 \pm 20%	0.020	10.00	100
CKOB1808-5.6uH/M	5.6 \pm 20%	0.026	7.00	100
CKOB1808-10uH/M	10 \pm 20%	0.030	6.00	100
CKOB1808-27uH/M	27 \pm 20%	0.065	5.70	100
CKOB1808-33uH/M	33 \pm 20%	0.090	5.50	100
CKOB1808-47uH/M	47 \pm 20%	0.120	4.50	100
CKOB1808-68uH/M	68 \pm 20%	0.170	3.50	100
CKOB1808-100uH/M	100 \pm 20%	0.250	3.00	100
CKOB1808-150uH/M	150 \pm 20%	0.350	2.00	100
CKOB1808-220uH/M	220 \pm 20%	0.450	1.80	100
CKOB1808-330uH/M	330 \pm 20%	0.700	1.00	100
CKOB1808-560uH/M	560 \pm 20%	1.20	0.90	100
CKOB1808-1.0mH/M	1000 \pm 20%	1.80	0.80	100

Remark: ● Inductance Tested at 100kHz,0.25Vrms (20 $^{\circ}$ C)

- IDC: DC current at which the inductance drops approximate 20% from its value without current
- Operating Temperature : -25 $^{\circ}$ C ~ +105 $^{\circ}$ C
- Measure Equipment:

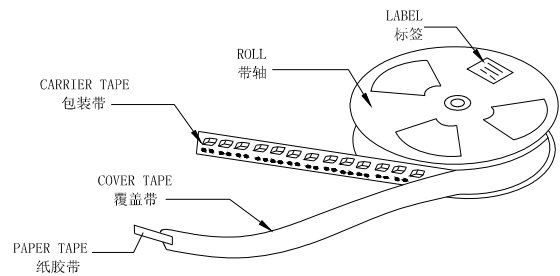
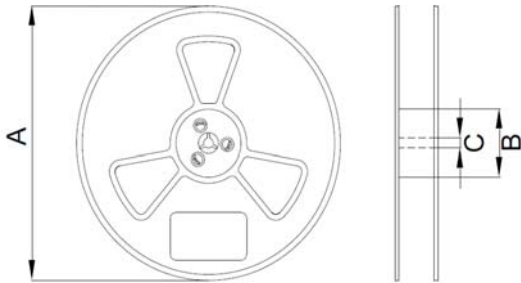
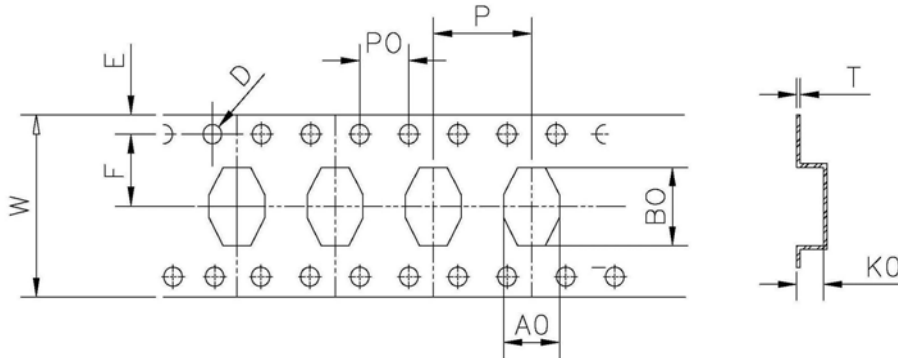
INDUCTANCE : Agilent HP-4284A , HP-4285A

IDC : Agilent HP-4284A+HP-42841A

DCR : CHEN HWA 502A



● PACKAGING SPECIFICATION :



Type	Tape Dimension						Reel Dimension			Quantity (Pcs/Reel)
	W	A0	B0	K0	D	P	A	B	C	
CKOB1608	16.0	4.6	6.9	3.7	1.5	8.0	330	100	13	2000
CKOB1306	24.0	9.5	13.5	5.5	1.5	12.0	330	100	13	1000
CKOB1312	24.0	9.5	13.3	11.7	1.5	12.0	330	100	13	250
CKOB1808	32.0	15.1	19.7	6.8	1.5	20.0	330	100	13	500